

USER MANUAL

NMEA MULTI DISTRIBUTOR

NM-18



SAFETY INSTRUCTIONS



The mounting location should satisfy the following conditions:

Sparate from radio transmitter, radar, direction finder (at least 3m).

Locate the equipment away from air conditioner vents.

Keep the equipment out of direct sunlight.

Vibration should be minimal.

The location should be free of water spray.

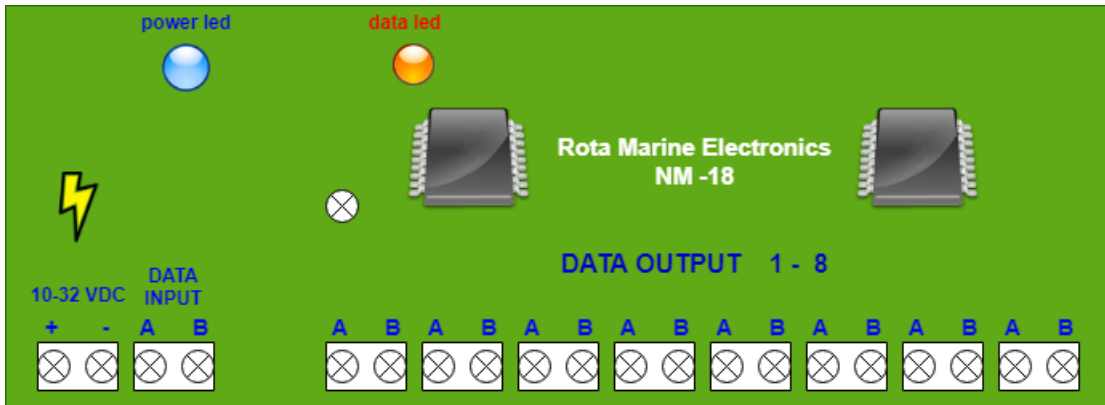
Do not install this unit on the overhead.

Observe the following compass safe distances to prevent deviation of a magnetic compass:

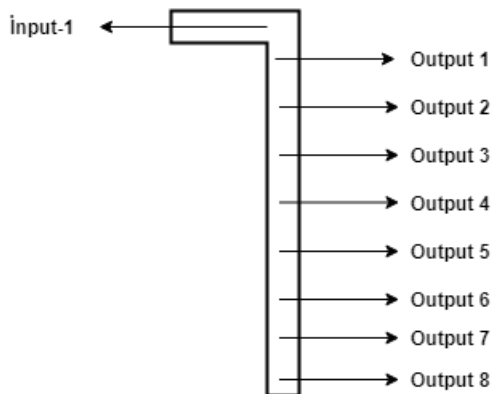
| | Standard compass | Steering compass |
|-------|---------------------|---------------------|
| NM-18 | 1.40 m | 0.95 m |

Turn off the power switch at the switchboard before beginning the installation.

Connection



Distribute NMEA from one input to eight output



SPECIFICATIONS OF MULTI-DISTRIBITOR NM-18

This equipment is used for distribution of navaid data from navigation equipment.

1. Port Input : 1 ports serial signal
 Output: 8 ports Serial Signal

2. Type of Signal : Inputs

-IEC 61162-1 or NMEA 0183

-RS422 / RS485

Output:

-IEC 61162-1 (RS-422/RS485)

-Ver. 1.5/2.0/3.0

4. Pow Supply : VDC --- 10V -32V

4800 bps to 38400 bps

Outline Drawing

